

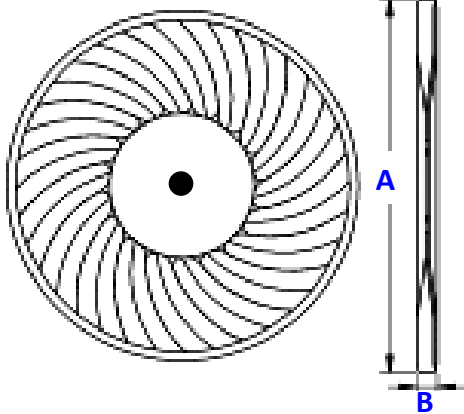


AKER

18 WAVE **AKER** DISC BLADES AVAILABLE AT NORWEST

NORWEST PART #	BLADE DIAMETER (A)	BLADE THICKNESS (MM)	WAVE HEIGHT (MM) (B)	BLADE WEIGHT (Approx. LBS.)
DRA1640-00	15.9"	4mm	12mm	8.44 LBS.
DRA1745-00	17"	4.5mm	12mm	10.56 LBS.
DRA2050-00	19.92"	5mm	12.5mm	16.38 LBS.
DRA2060-00	19.92"	6mm	12.5mm	18.69 LBS.
DRA2260-00	22"	6mm	12.5mm	21.10 LBS.

All blades are designed with **18 Waves** for improved furrows and the central plate is 8.66" (220mm).



The new AKER disc blade from Bellota is a specially-designed disc for preparing the seed bed with excellent stubble cutting capability in all soil types. Eighteen tangential waves produce excellent cutting capability with minimum vertical force.

AKER disc blades provide good penetration even with severe ground conditions.

Call Norwest Today for Pricing & Availability!

(208) 436-1770

These blades will replace the "Turbo" disc blades commonly used on Great Plains Turbo Till equipment, and other similar machines.

